

**SPECIFICATIONS**

Current Rating: 30 Amps @ 500V AC

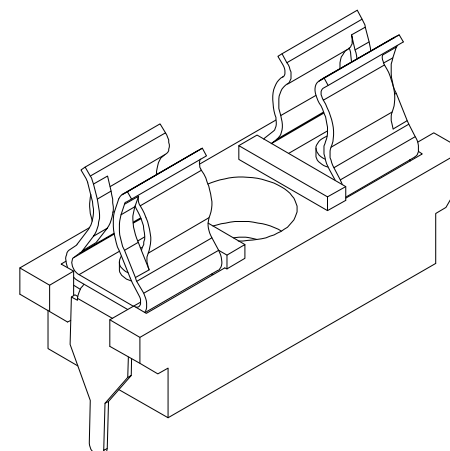
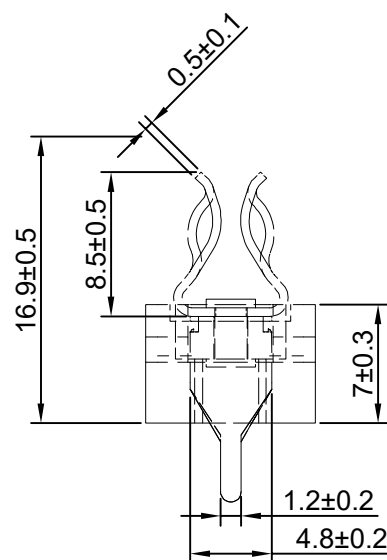
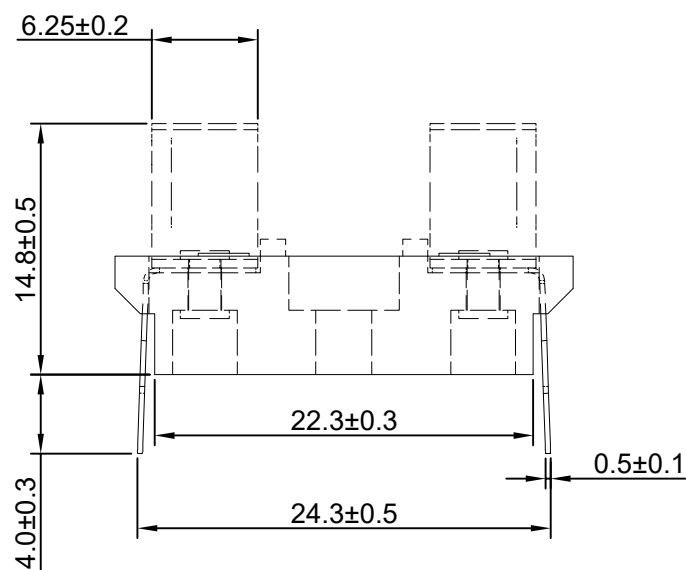
Temperature Rating: -40 °C to 125 °C

Insulator: Nylon , UL 94V-0

Contacts: Phosphor Bronze

Finish: Tin plated over Nickel

Fuse Size: 5.2x20mm FUSE BLOCK



# KQSYCN

www.kqsycn.com  
400-092-6568

科晴实业

THIS DRAWING AND ANY INFORMATION OR DESCRIPTIVE MATTER SET OUT HEREON ARE CONFIDENTIAL AND COPYRIGHT PROPERTY OF KQSYCN AND MUST NOT BE DISCLOSED, LOANED, COPIED OR USED FOR MANUFACTURING, TENDERING OR FOR ANY OTHER PURPOSE WITHOUT THEIR WRITTEN PERMISSION.

**TOLERANCES**

>60 ±0.60  
30-60 ±0.45  
06-30 ±0.35  
0-6 ±0.25  
ANGLES ±1°

VIEW	
UNITS	mm
REV	A1
SHEET	1/1
DATE	2025.08.15

**TITLE:**

5.2x20mm 保险丝座

**PART NO.:**

KQ-S2007

APPD

Li Jian

CHKD

Wan Yong

DRAW

Wan Yong